

## Two-Piece Trunnion Supported Ball Valves

6800 Series

Flanged, Trunnion Supported  
Ball Valves available in  
pressures up to 1480 psi.  
Available In Full Port, Class  
150, 300, and 600

*Fire-safe Design For  
Petroleum, Chemicals  
and Gas Applications.*

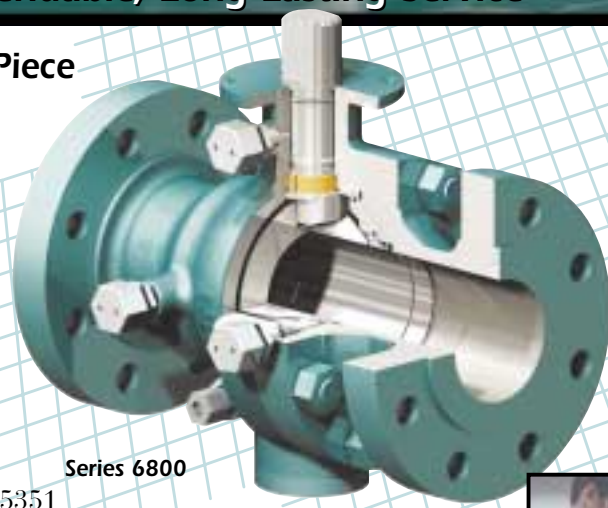
*Their Options Are Our Standards*

The Professional Choice for Dependable, Long Lasting Service

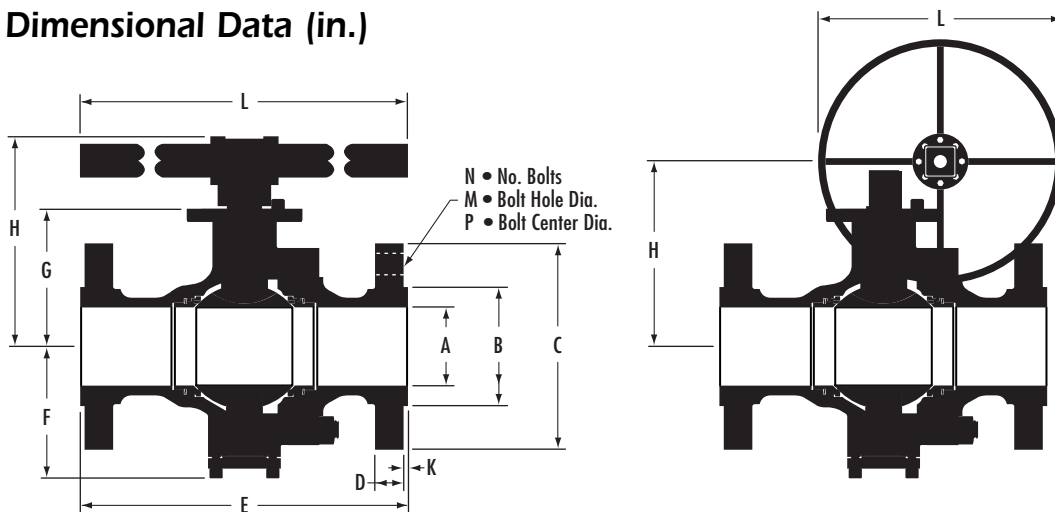
Series 6800 Flanged, Two-Piece Trunnion Supported Ball Valves

Standard Features

- WCB/WCC Bodies and Adapters
- 316 Stainless Steel Standard on Internal Trim (Ball, Seat and Stems) 2"-150 thru 6"-600
- LCC, CF8M or Exotic Material Available
- Metal Seat Available
- O-ring Stem Seal Design backed by Fire Safe Seal
- Valves Built to API 6D
- Valves meet ASME B16.34, B16.10, B16.5 and BS 5351
- ISO 5211 Compatible Mounting Pads
- Fire tested to API 607 or 6FA
- Locking Devices Standard for Lever or Gear Operated Valves
- All Materials Meet NACE MR0175



Dimensional Data (in.)

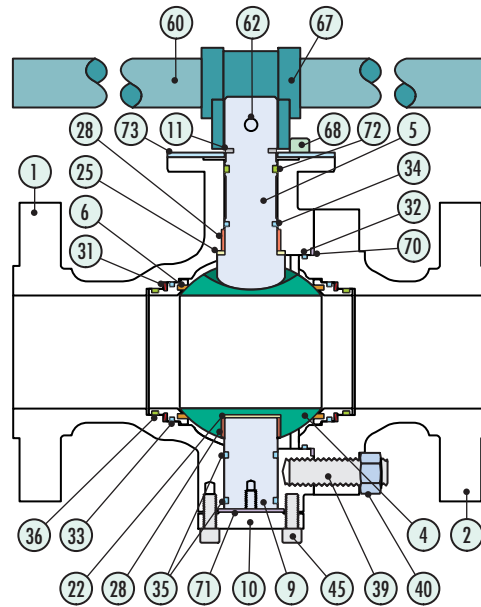


6800, Full Port

Valve Sz (In)	Class	A	B	C	D	E	F	G	H	K	N	M	P	L
2	150	2.06	3.62	6.00	0.62	7.00	4.30	3.94	6.53	0.06	4	0.75	4.75	16.62
	300	2.06	3.62	6.50	0.88	8.50	4.30	3.94	6.53	0.06	8	0.75	5.00	16.62
	600	2.06	3.62	6.50	1.25	11.50	4.30	4.13	7.43	0.25	8	0.75	5.00	19.70
3	150	3.13	5.00	7.50	0.75	8.00	5.80	4.88	8.80	0.06	4	0.75	6.00	30.00
	300	3.13	5.00	8.25	1.12	11.12	5.80	4.88	8.19	0.06	8	0.88	6.62	30.00
	600	3.13	5.00	8.25	1.50	14.00	5.80	5.38	9.28	0.25	8	0.88	6.62	30.00
4	150	4.06	6.19	9.00	0.94	9.00	6.86	6.10	10.01	0.06	8	0.75	7.50	30.00
	300	4.06	6.19	10.00	1.25	12.00	6.86	7.06	10.97	0.06	8	0.88	7.88	30.00
	600	4.06	6.19	10.75	1.75	17.00	6.86	7.06	10.97	0.25	8	1.00	8.50	30.00
6	150	6.00	8.50	11.00	1.00	15.50	8.27	8.75	10.91	0.06	8	0.88	9.50	18.11
	300	6.00	8.50	12.50	1.44	15.87	8.27	8.75	10.91	0.06	12	0.88	10.62	18.11
	600	6.00	8.50	14.00	2.13	22.00	8.27	8.75	10.91	0.25	12	1.12	11.50	18.11
8	150	8.00	10.62	13.50	1.12	18.00	10.62	10.94	13.06	0.06	8	0.88	11.75	24.02
	300	8.00	10.62	15.00	1.62	19.75	10.62	10.94	13.06	0.06	12	1.00	13.00	24.02
	600	8.00	10.62	16.50	2.44	26.00	10.62	10.94	13.06	0.25	12	1.25	13.75	24.02
10	150	10.00	12.75	16.00	1.19	21.00	12.17	12.50	36.00	0.06	12	1.00	14.25	24.02
	300	10.00	12.75	17.50	1.88	22.38	12.17	12.50	14.63	0.06	16	1.12	15.25	24.02
12	150	12.00	15.00	19.00	1.25	24.00	13.74	14.13	16.25	0.06	12	1.00	17.00	24.02
	300	12.00	15.00	20.50	2.00	25.50	13.74	14.13	16.25	0.06	16	1.25	17.75	24.02

Parts & Materials ■ Typical 4" Steel Valve

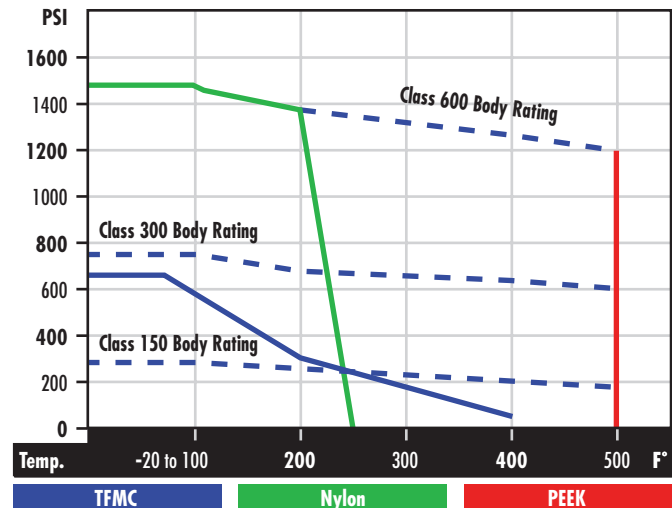
Item No.	Qty.	Description	Material/Carbon Steel
1	1	Body	A216-WCB/WCC
2	1	Adapter Cap	A216-WCB/WCC
4	1	Ball	A351-CF8M
5**	1	Stem	A276-316
6*	2	Seat Assembly	Nylon/316
9	1	Trunnion	A276-316
10	1	Trunnion Plate	A352-LCC
11**	1	Snap Ring	Stainless Steel
22**	1	Bearing	TFMC
25*	1	Stem Thrust Bearing	TFMC
28*	2	Bearing Washer	Steel/PTFE
31**	2	Spring	Inconel X-750
32*	1	O-ring, Body	Viton® A
33*	2	O-ring, Seat	Viton® A
34*	1	O-ring, Stem	Viton® A
35*	2	O-ring, Trunnion	Viton® A
36*	—	Packing	Graphite
39	See Dim.	Stud	A193-B7M
40	See Dim.	Nut	A194-2HM
45	4	Cap Screw, Trunnion	A574
60	1	Handle	Carbon Steel
62	1	Handle Screw	F912
67	1	Handle Adapter	Ductile Iron
68	1	Cap Screw, Stop	A574
70*	1	Gasket, Body	Graphite
71*	1	Gasket, Trunnion	Graphite
72*	—	Packing, Stem	Graphite
73**	1	Stop Plate	Carbon Steel



\*Recommended spare parts after two years service.  
 \*\*Recommended spare parts after five years service.  
 NOTE: We reserve the right to change materials and specifications.

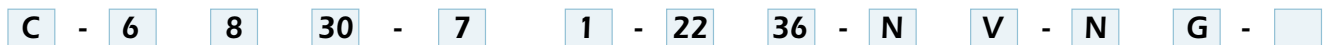
Product Range, Series 6800, Full Port, Flanged Ends											
Shell Material	Class	Design Feature	End Connect.	Size (In)							
				2	3	4	6	8	10	12	
WCB	150	End Entry	RF	X	X	X	X	X	X	X	
LCC &	300	End Entry	RF	X	X	X	X	X	X	X	
Special	600	End Entry	RF	X	X	X	X	X	X	X	

Pressure Temperature



Specifying Series 6800 Valve Figure Numbers

Example: 6" C-6830-71-2236-NV-NG ■ This number represents a 6" ANSI Class 300, Full Port, Two Piece Trunnion Ball Valve, Fire Tested with Emergency Grease Seals, with Raised Face, WCB Body Material, 316SS Trim, Nylon Seats, Viton® A Seals, for NACE MR0175 Service and Gear Operated.



Material Code	Port Config.	Valve Type	Pressure Class	Fire Tested	End Connect.	Body Material	Trim Material	Seat Material	Seal Material	NACE Option	Operator	Modifier Code
C	6	8	10	3	1	22	00	C	B	N	A	
Carbon Steel	Full	Two Piece Trunnion Type	150 Class 300 Class 600 Class	Fire Tested w/No Emergency Grease Seals 7 Fire Tested w/Emergency Grease Seals	RF 2 Non-Standard 3 RTJ	WCB/WCC 28 LCC	Same as Body 36 316SS	Carbon Filled TFM N Nylon P Peek Z Special	Buna-N R Buna-N* V Viton® A W Viton® B** Y Viton® GF Z Special	NACE S Standard	Actuator B Bare Stem G Gear Operator L Lever L	

\*For Low Temperature Service. \*\*For Explosive Decompression Service.  
 Other body, trim, seat and seal materials are available upon request.  
 Lever mounting pads are designed to dimensions in ISO 5211.